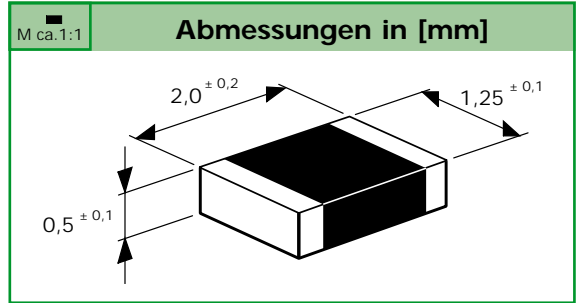


AEK GmbH · Maxglaner Hauptstraße 70 · A-5020 Salzburg · fon +43-(0)662-830810 · fax +43-(0)662-830810-18 · office@ek.at · www.ek.at

Wert Dek. 1	Teilenummer	Wert Dek. 1	Teilenummer
0,0Ω	RK73Z2ATTA	31,6Ω	RK73H2ATTA31R6F
10,0Ω	RK73H2ATTA10R0F	32,4Ω	RK73H2ATTA32R4F
10,2Ω	RK73H2ATTA10R2F	33,2Ω	RK73H2ATTA33R2F
10,5Ω	RK73H2ATTA10R5F	34,0Ω	RK73H2ATTA34R4F
10,7Ω	RK73H2ATTA10R7F	34,8Ω	RK73H2ATTA34R8F
11,0Ω	RK73H2ATTA11R1F	35,7Ω	RK73H2ATTA35R7F
11,3Ω	RK73H2ATTA11R3F	36,5Ω	RK73H2ATTA36R5F
11,5Ω	RK73H2ATTA11R5F	37,4Ω	RK73H2ATTA37R4F
11,8Ω	RK73H2ATTA11R8F	38,3Ω	RK73H2ATTA38R3F
12,1Ω	RK73H2ATTA12R1F	39,2Ω	RK73H2ATTA39R2F
12,4Ω	RK73H2ATTA12R4F	40,2Ω	RK73H2ATTA40R2F
12,7Ω	RK73H2ATTA12R7F	41,2Ω	RK73H2ATTA41R2F
13,0Ω	RK73H2ATTA13R3F	42,2Ω	RK73H2ATTA42R2F
13,3Ω	RK73H2ATTA13R3F	43,2Ω	RK73H2ATTA43R2F
13,7Ω	RK73H2ATTA13R7F	44,2Ω	RK73H2ATTA44R2F
14,0Ω	RK73H2ATTA14R4F	45,3Ω	RK73H2ATTA45R3F
14,3Ω	RK73H2ATTA14R3F	46,4Ω	RK73H2ATTA46R4F
14,7Ω	RK73H2ATTA14R7F	47,5Ω	RK73H2ATTA47R5F
15,0Ω	RK73H2ATTA15R5F	48,7Ω	RK73H2ATTA48R7F
15,4Ω	RK73H2ATTA15R4F	49,9Ω	RK73H2ATTA49R9F
15,8Ω	RK73H2ATTA15R8F	51,1Ω	RK73H2ATTA51R1F
16,2Ω	RK73H2ATTA16R2F	52,3Ω	RK73H2ATTA52R3F
16,5Ω	RK73H2ATTA16R5F	53,6Ω	RK73H2ATTA53R6F
16,9Ω	RK73H2ATTA16R9F	54,9Ω	RK73H2ATTA54R9F
17,4Ω	RK73H2ATTA17R4F	56,2Ω	RK73H2ATTA56R2F
17,8Ω	RK73H2ATTA17R8F	57,6Ω	RK73H2ATTA57R6F
18,2Ω	RK73H2ATTA18R2F	59,0Ω	RK73H2ATTA59R9F
18,7Ω	RK73H2ATTA18R7F	60,4Ω	RK73H2ATTA60R4F
19,1Ω	RK73H2ATTA19R1F	61,9Ω	RK73H2ATTA61R9F
19,6Ω	RK73H2ATTA19R6F	63,4Ω	RK73H2ATTA63R4F
20,0Ω	RK73H2ATTA20R0F	64,9Ω	RK73H2ATTA64R9F
20,5Ω	RK73H2ATTA20R5F	66,5Ω	RK73H2ATTA66R5F
21,0Ω	RK73H2ATTA21R1F	68,1Ω	RK73H2ATTA68R1F
21,5Ω	RK73H2ATTA21R5F	69,8Ω	RK73H2ATTA69R8F
22,1Ω	RK73H2ATTA22R1F	71,5Ω	RK73H2ATTA71R5F
22,6Ω	RK73H2ATTA22R6F	73,2Ω	RK73H2ATTA73R2F
23,2Ω	RK73H2ATTA23R2F	75,0Ω	RK73H2ATTA75R5F
23,7Ω	RK73H2ATTA23R7F	76,8Ω	RK73H2ATTA76R8F
24,3Ω	RK73H2ATTA24R3F	78,7Ω	RK73H2ATTA78R7F
24,9Ω	RK73H2ATTA24R9F	80,6Ω	RK73H2ATTA80R6F
25,5Ω	RK73H2ATTA25R5F	82,5Ω	RK73H2ATTA82R5F
26,1Ω	RK73H2ATTA26R1F	84,5Ω	RK73H2ATTA84R5F
26,7Ω	RK73H2ATTA26R7F	86,6Ω	RK73H2ATTA86R6F
27,4Ω	RK73H2ATTA27R4F	88,7Ω	RK73H2ATTA88R7F
28,0Ω	RK73H2ATTA28R8F	90,9Ω	RK73H2ATTA90R9F
28,7Ω	RK73H2ATTA28R7F	93,1Ω	RK73H2ATTA93R1F
29,4Ω	RK73H2ATTA29R4F	95,3Ω	RK73H2ATTA95R3F
30,1Ω	RK73H2ATTA30R1F	97,6Ω	RK73H2ATTA97R6F
30,9Ω	RK73H2ATTA30R9F	100,0Ω bis 1MΩ	



Technische Daten

Dickschicht-Chipwiderstand
Widerstandsbereich
(E24/E96-Reihe): 10Ω bis 1MΩ
Leistung: 0,125W
Temperaturbereich: -55°C bis +155°C
Temperaturkoeffizient: ±100ppm/°C 10Ω - 1MΩ
±400ppm/°C 1Ω - 9,76Ω
max. Betriebsspannung: 150 V

Darstellung der Dekadenwerte

Dekade	Werte	Kodierter Wert
1	10Ω bis 97,6Ω	10R0 bis 97R6
2	100Ω bis 976Ω	1000 bis 9760
3	1kΩ bis 9,76kΩ	1001 bis 9761
4	10kΩ bis 97,6kΩ	1002 bis 9762
5	100kΩ bis 976kΩ	1003 bis 9763
6	1MΩ	1004

LABK-RK73H2AT-KIT1: 0805-R-Sortiment
122 Werte á 100 Stück aus E24 Reihe
(10Ω bis 1MΩ + Jumper)

Teilenummernschlüssel

