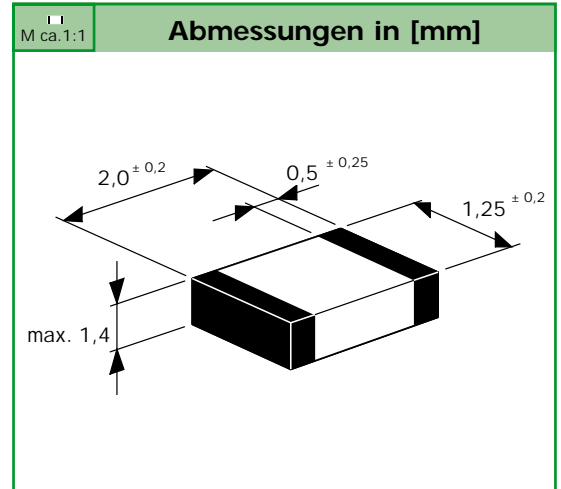


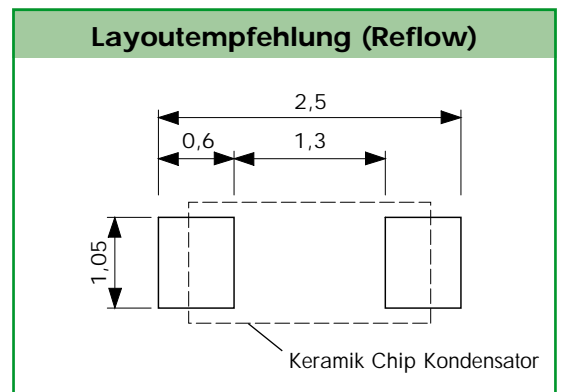
AEK GmbH · Maxglaner Hauptstraße 70 · A-5020 Salzburg · fon +43-(0)662-830810 · fax +43-(0)662-830810-18 · office@ek.at · www.aek.at

Wert	Teilenummer	Wert	Teilenummer
1,0pF	NP00805HTTA1R0C		
1,2pF	NP00805HTTA1R2C		
1,5pF	NP00805HTTA1R5C		
1,8pF	NP00805HTTA1R8C		
2,2pF	NP00805HTTA2R2C		
2,7pF	NP00805HTTA2R7C		
3,3pF	NP00805HTTA3R3C		
3,9pF	NP00805HTTA3R9C		
4,7pF	NP00805HTTA4R7C		
5,6pF	NP00805HTTA5R6D		
6,8pF	NP00805HTTA6R8D		
8,2pF	NP00805HTTA8R2D		
10pF	NP00805HTTA100J		
12pF	NP00805HTTA120J		
15pF	NP00805HTTA150J		
18pF	NP00805HTTA180J		
22pF	NP00805HTTA220J		
27pF	NP00805HTTA270J		
33pF	NP00805HTTA330J		
39pF	NP00805HTTA390J		
47pF	NP00805HTTA470J		
56pF	NP00805HTTA560J		
68pF	NP00805HTTA680J		
82pF	NP00805HTTA820J		
100pF	NP00805HTTA101J		
120pF	NP00805HTTA121J		
150pF	NP00805HTTA151J		
180pF	NP00805HTTA181J		
220pF	NP00805HTTA221J		
270pF	NP00805HTTA271J		
330pF	NP00805HTTA331J		
470pF	NP00805HTTA471J		
560pF	NP00805HTTA561J		
680pF	NP00805HTTA681J		
820pF	NP00805HTTA821J		
1000pF	NP00805HTTA102J		
1200pF	NP00805HTTA122J		



Technische Daten

Keramik-Vielschicht-Kondensator
 Kontaktierung: Ni-Sperrschicht
 verzinkt
 Temperaturkoeffizient: NPO/COG
 (Tk ±30 ppm/°C)
 EIA-Klasse 1
 Temperaturbereich: -55°C bis +125°C
 Kapazitätstoleranz: 1,0pF - 4,7pF: ±0,25pF
 5,6pF - 8,2pF: ±0,5pF
 10pF - 1200pF: ±5%
 Nennspannung: 50V



Teilenummernschlüssel

